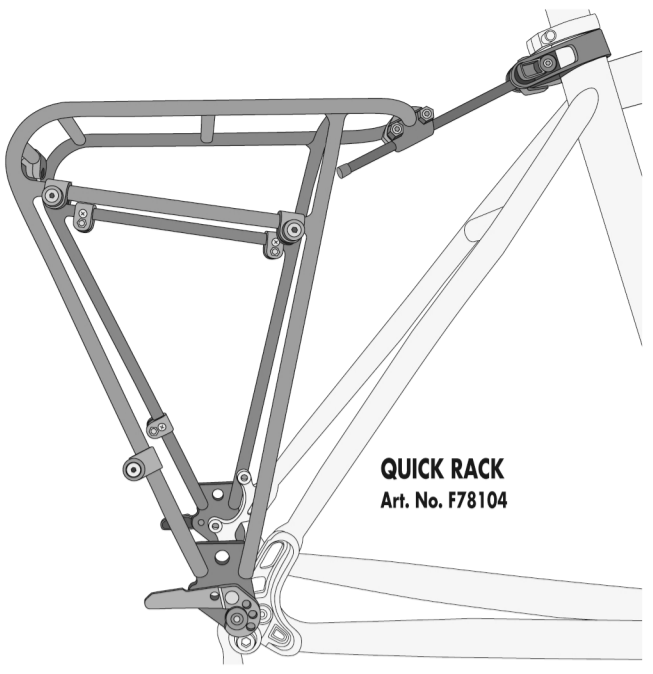
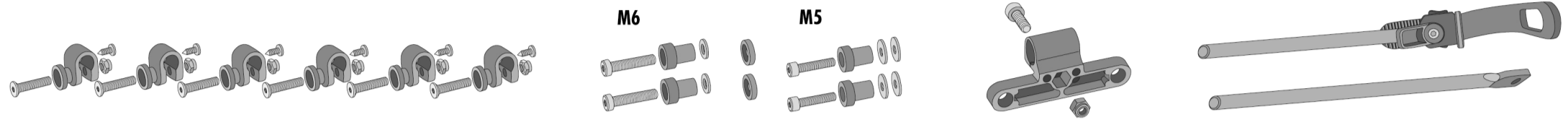


QUICK RACK
QUICK RACK LIGHT

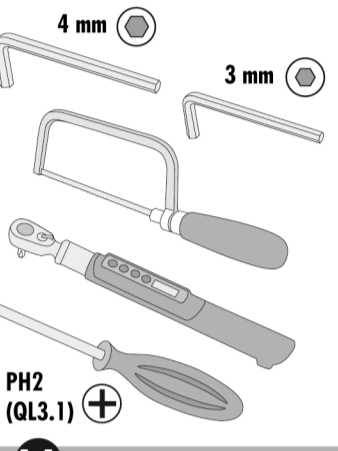
- DE MONTAGEANLEITUNG
- GB ASSEMBLY INSTRUCTIONS
- FR INSTRUCTIONS DE MONTAGE
- IT ISTRUZIONI DI MONTAGGIO
- NL MONTAGE HANDLEIDING
- DK MONTERINGSVEJLEDNING
- ES INSTRUCCIONES DE MONTAJE
- SE MONTERINGSANVISNING
- NO MONTERINGSANVISNING
- FI ASENNUSOHJEET
- PL INSTRUKCJA MONTAŻU
- JP 装着方法



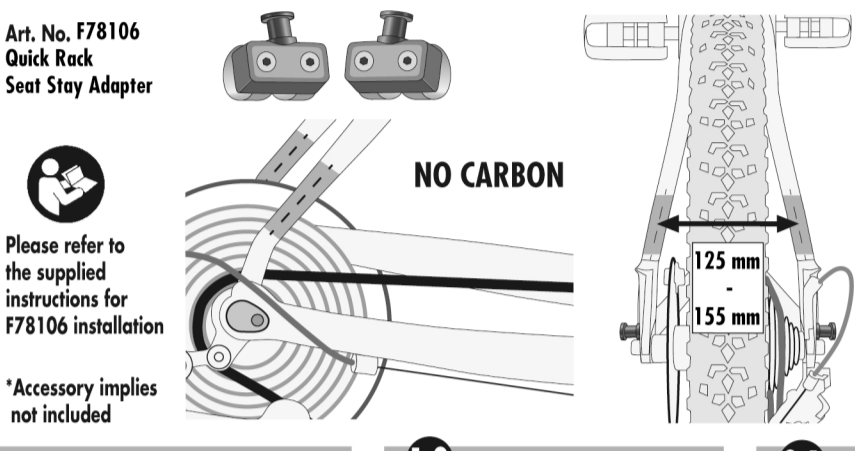
ORTLIEB Sportartikel GmbH
Rainstraße 6
91560 Germany
www.ortlieb.com



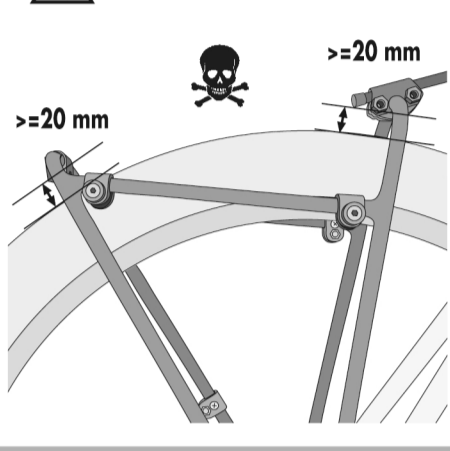
REQUIRED TOOLS



USE ACCESSORY ADAPTOR F78106 IF NO M5 OR M6 ARE AVAILABLE*



MAX. 29 x 2,35"



145 mm - 185 mm

